

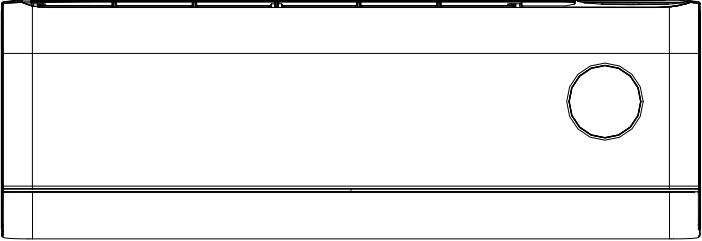
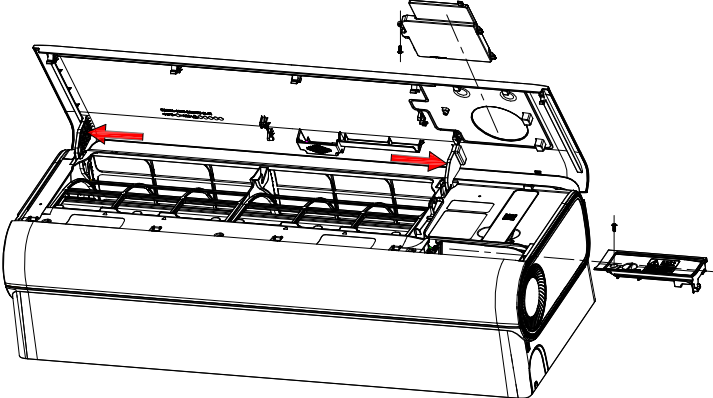
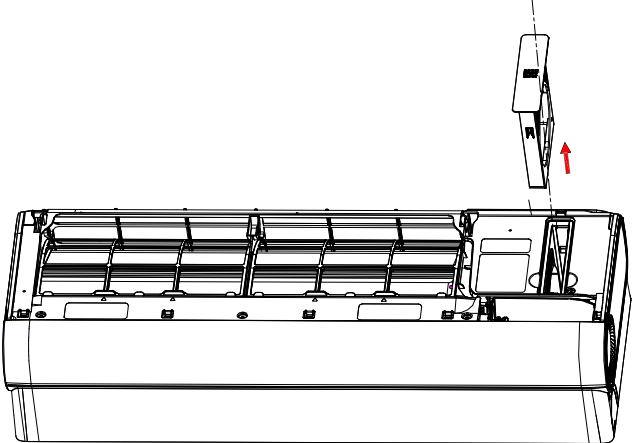
Inverter Air Conditioner Indoor/Outdoor Units Disassembly Manual

Models:

WYT012GLUI25FV

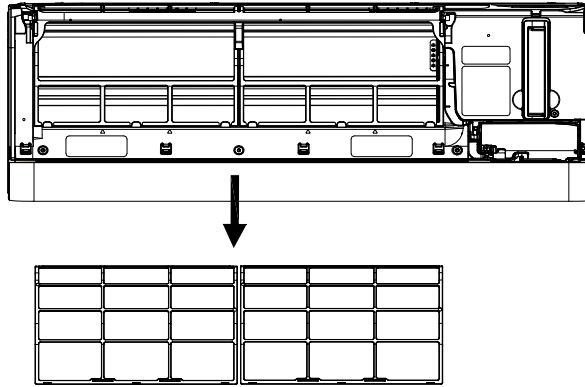
IDU Disassembly

Indoor Unit Model Number: WT012GLUI25FVQ

Steps	Reference Photo
Before disassembly	 A line drawing of the indoor unit's front panel, showing a rectangular shape with a circular vent on the right side.
1. Disassemble the front panel and display PCB	
<p>A. Open the front panel.</p> <p>B. Unfix the screw on the electric control box cover, then remove the cover.</p> <p>C. Unfix the screw on the display PCB, then remove the display PCB.</p> <p>D. Slightly release the panel axis by hand, then remove the panel from the unit.</p>	 A line drawing of the indoor unit with the front panel open. Red arrows indicate the removal of screws from the control box cover and the display PCB. A separate drawing shows the display PCB being removed.
2. Disassemble the purification filter	
<p>A. Remove the purification filter from the unit in the direction shown in the photo.</p>	 A line drawing of the indoor unit with the front panel removed. A red arrow points upwards, indicating the direction to pull out the purification filter from the top of the unit.

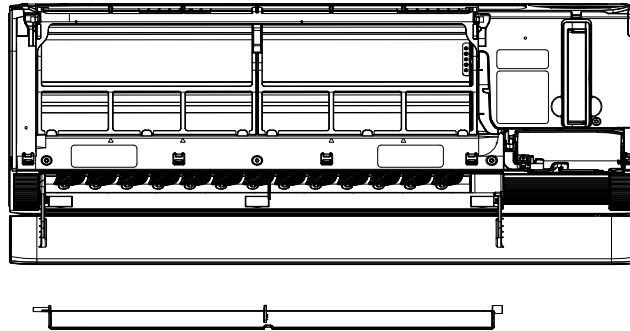
3. Remove the filter

A. Remove the filter from the unit in the direction shown in the photo. Press the 2 holding buttons on the filter in order to remove it easily.



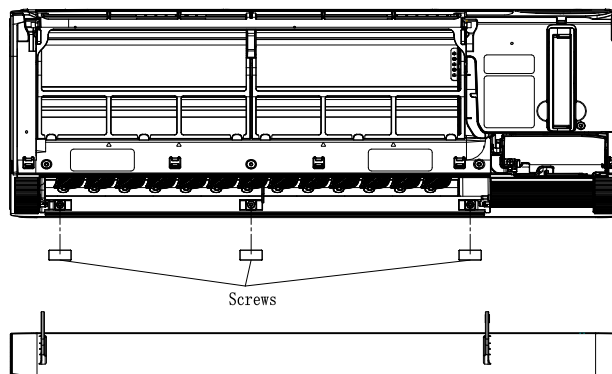
4. Remove the small vane

A. Open the large valve to its maximum capacity, then remove the small vane.



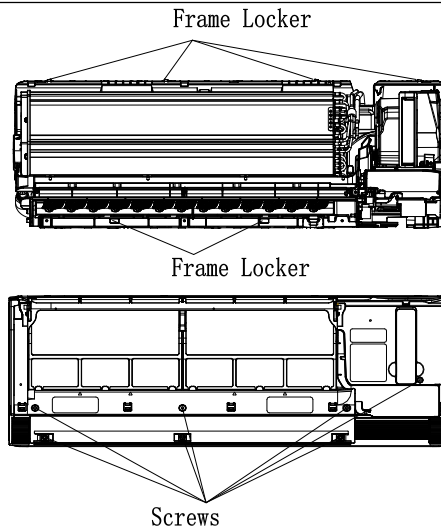
5. Remove the screw covers and large vane

A. Remove the 3 screw covers.
B. Remove the large vane.



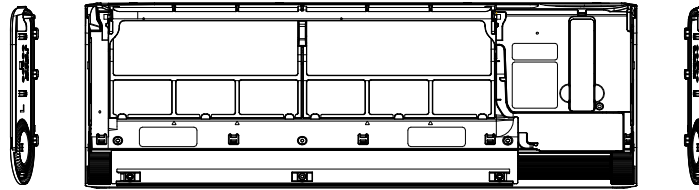
6. Disassemble the middle frame

- A. Remove the 7 screws on the mid frame.
- B. Lift the mid frame to loosen the first frame locker in the direction shown in the photo. (4 lockers in total)
- C. Hold the unit with both hands and lift slightly to loosen the second frame locker.
- D. Remove the middle frame the unit.



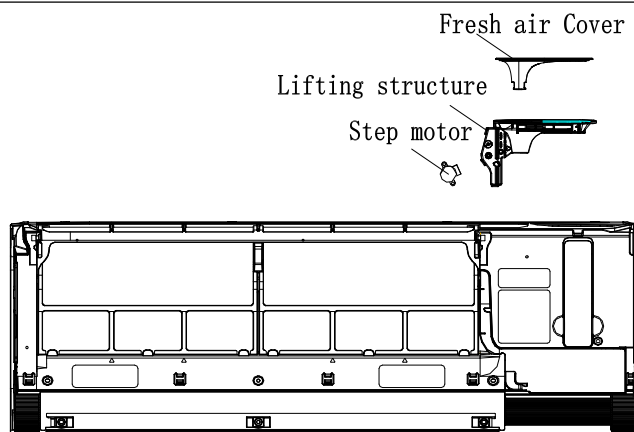
7. Disassemble the side plate

- A. Remove the side plate from the frame.



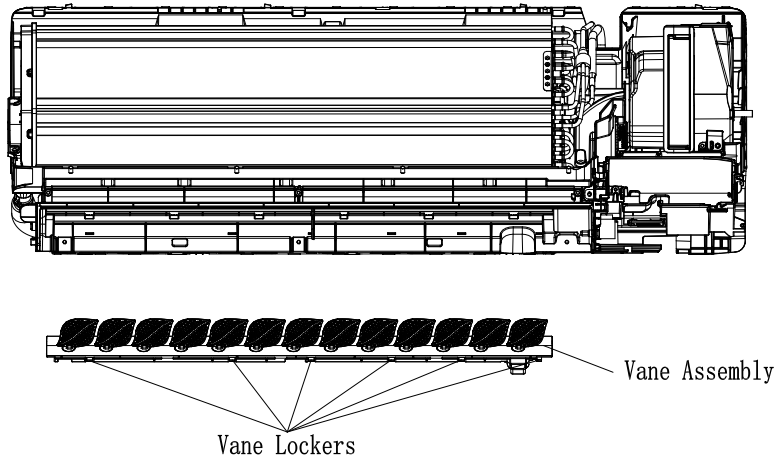
8. Disassemble the lifting structure

- A. Unfix 1 screw on the lifting structure.
- B. Loosen the 3 lockers between the middle frame and lifting structure. Then remove the structure.
- C. Unfix 1 screw on the stepping motor of the lifting structure and withdraw the motor.



9. Disassemble the stepping vane assembly

A. Loosen the 6 vane lockers, then remove the vane assembly from the unit.

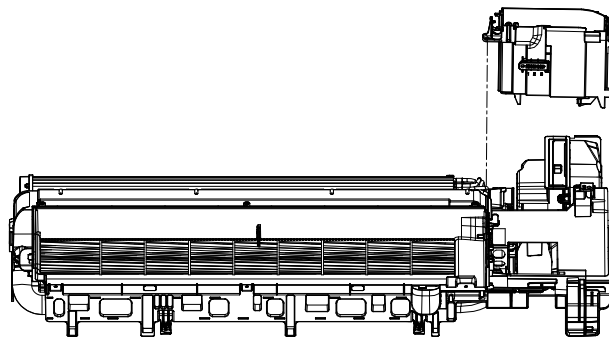


10. Disassemble the electric box

A. Unfix the screws on the electric box and unit base.

B. Unfix the ground screw on the evaporator, then remove the copper pipe sensor.

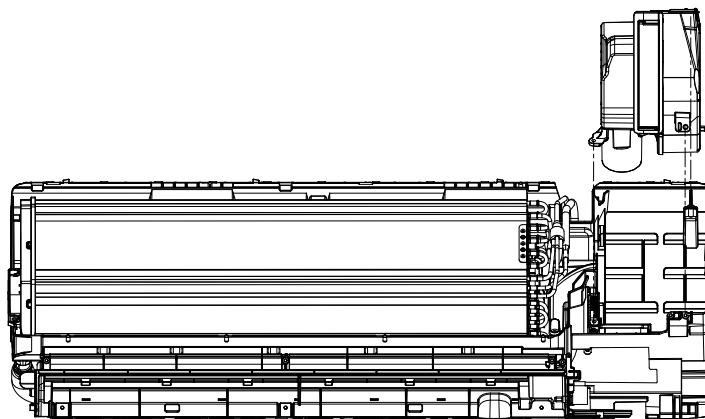
C. Remove the electric box from the unit.



11. Disassemble the Air-Fresh module

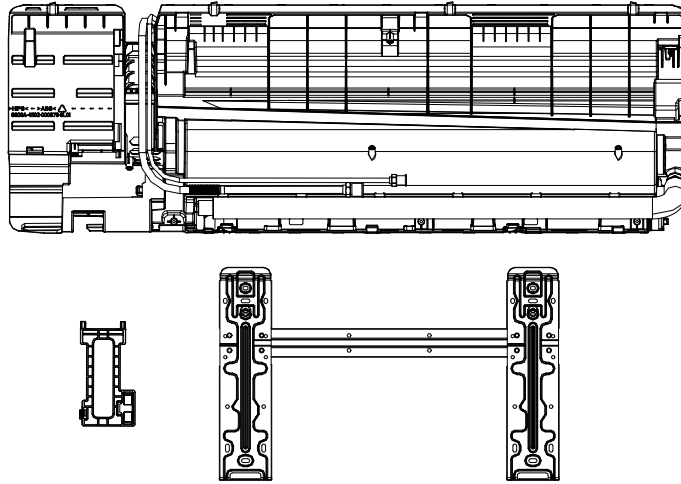
A. Unfix 3 screws on the Air-Fresh module and the unit base.

B. Remove the Air-Fresh assembly.



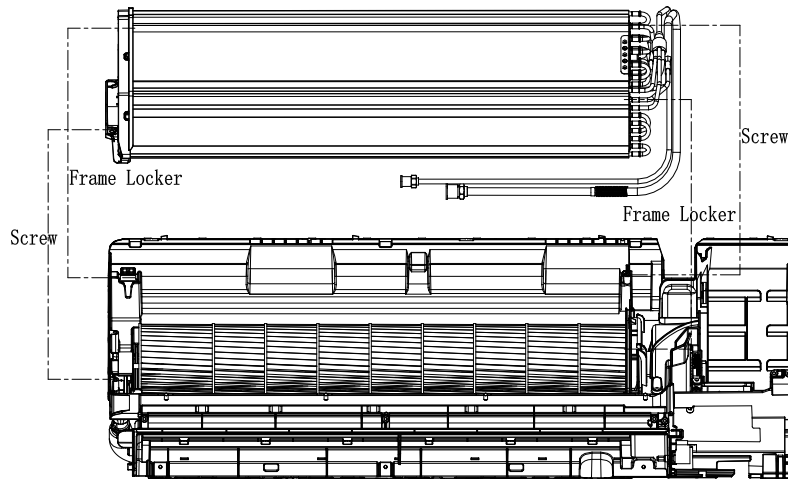
12. Disassemble the installation plate and pipe clamp

- A. Unfix the screws on the installation plate and unit base.
- B. Loosen the lockers on the plate and base, then remove the installation plate.
- C. Slightly lift the hand clasp, then remove the clamp.



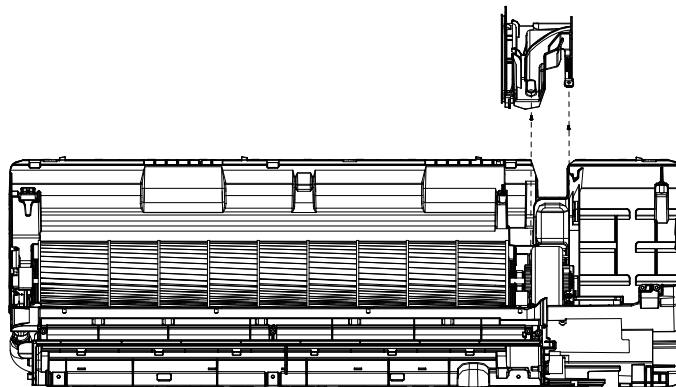
13. Disassemble the evaporator

- A. Unfix 2 screws on the left side of the evaporator. Then unfix 1 screw on the right side of the evaporator.
- B. Loosen the left side locker of the EVP, then lift the left side of the EVP.
- C. While the left side of the EVP is lifted, remove the EVP from the right locker.



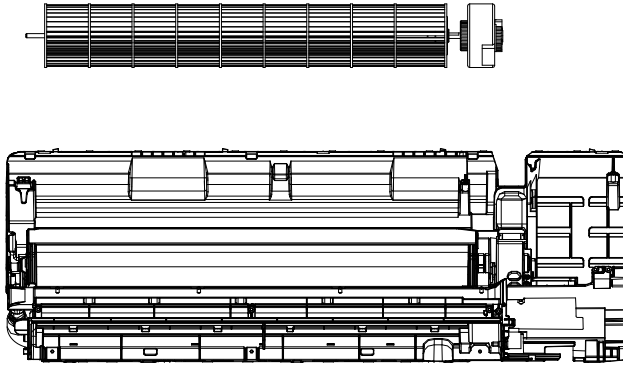
14. Remove the motor cover

- A. Unfix 2 screws on the motor cover and unit base. Remove the cover.

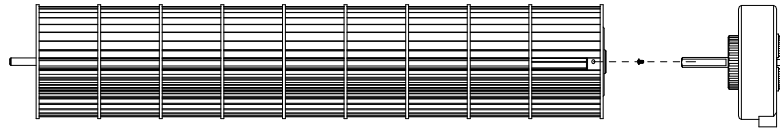


15. Remove the cross-flow fan and fan motor

A. Lift the cross-flow fan and fan motor and move them to the right. Remove the cross-flow fan shaft out of the bearing. Then take out the cross-flow fan and fan motor from the unit.

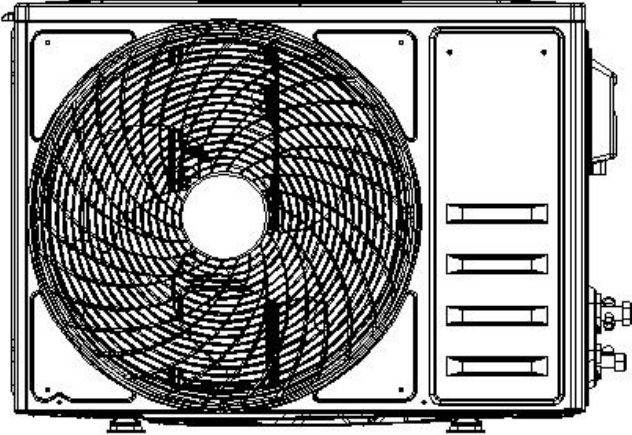
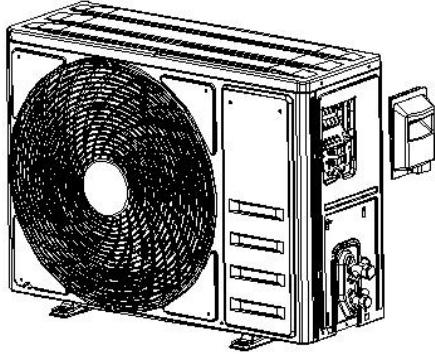
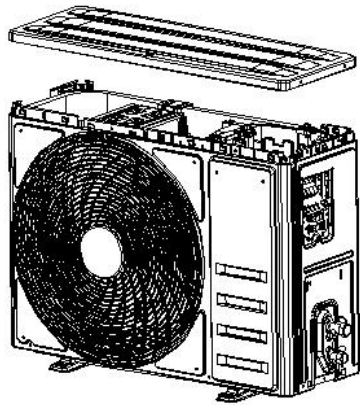
**16. Disassemble the cross-flow fan and fan motor**

A. Remove the fixing screw on the cross-flow fan and fan motor, then take out the cross-flow fan and fan motor separately.



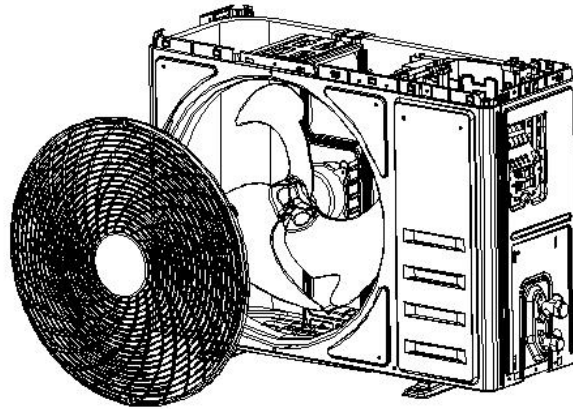
ODU Disassembly

Outdoor Unit Model Number: YN012GLUI25RPQ

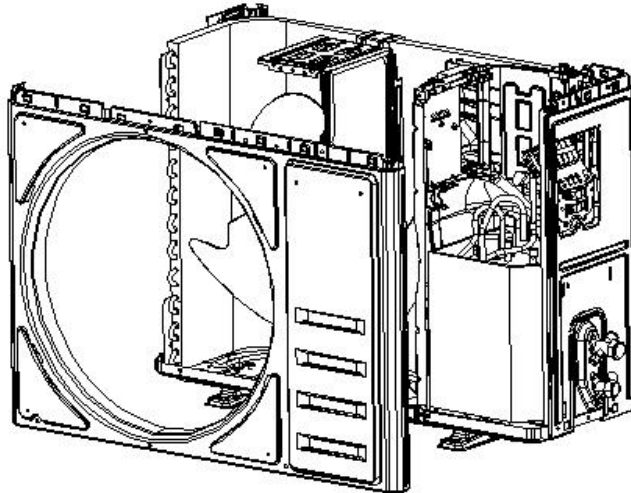
Steps	Reference Photo
<p>Before disassembly</p>	
<p>1. Remove the handle and top cover</p>	
<p>A</p> <p>Remove the handle by unfixing the screw between the handle and the right plate</p>	
<p>B</p> <p>Unfix the screws on the top cover, front panel, left panel, right panel, then take off the top cover.</p>	

2. Disassemble the fan guard and front panel**A**

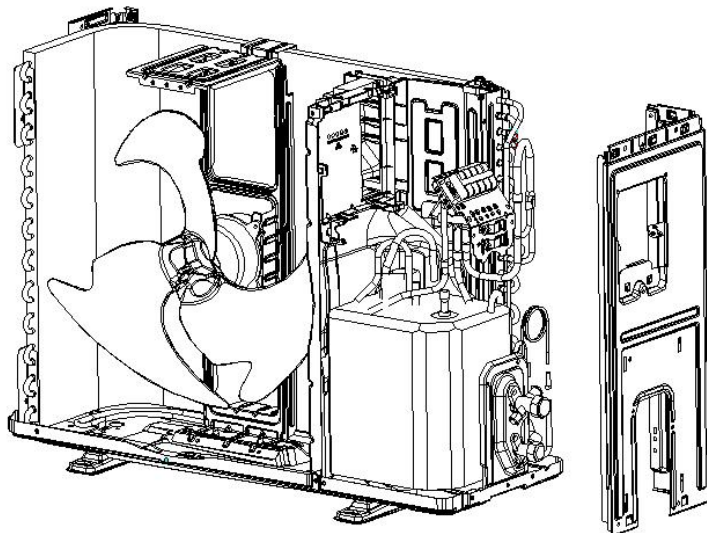
Unfix the screws on the front panel of the fan guard. Then turn the fan guard anticlockwise to remove it from the unit.

**B**

Unfix the screws between the top cover of the ODU middle separate plate and the base plate. Lift the front panel upward, then remove it from the unit.

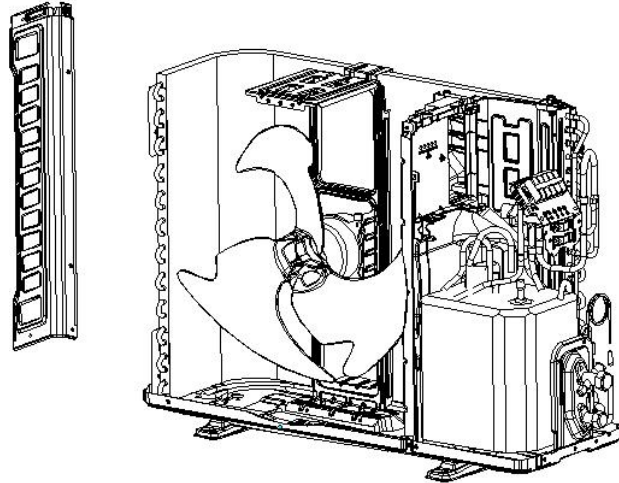
**3. Disassemble the left and right plate****A**

Unfix the screws on the right plate, electric box assembly, valve plate, and base plate. Then remove the right plate.



B

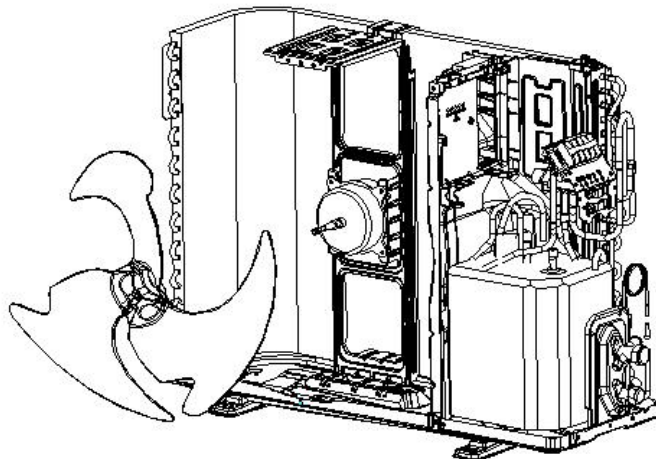
Unfix the screws on the left plate, base plate, and condenser plate. Then take out the left plate.



4. Disassemble the axis fan blade

A

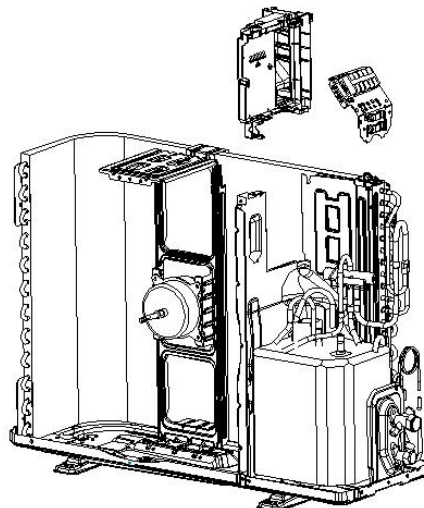
Unscrew the fan blade nut. Then remove the fan blade from the fan motor.



5. Disassemble the electric box

A

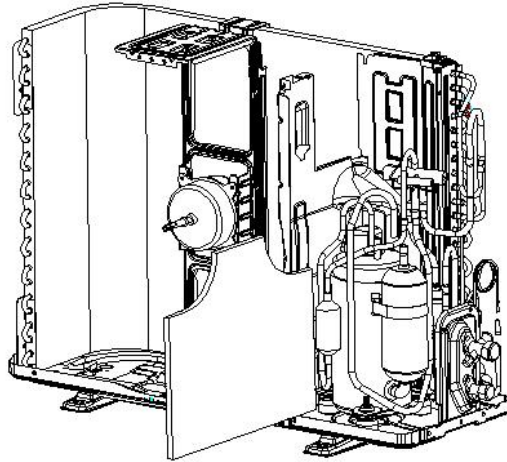
Remove the wire of the fan motor and the temperature sensors from the PCB. In addition, remove the wire of the compressor from the connector. Next unfix the screw between the electric box and partition plate. Then remove the electric box from the unit.



6. Remove the soundproof cotton

A

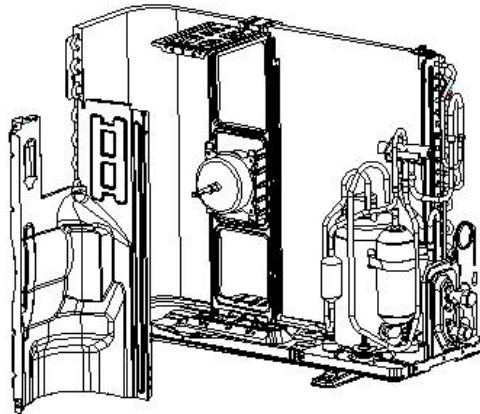
Remove the soundproof cotton from the compressor carefully.



7. Disassemble the partition plate

A

Unfix the screw between the separate plate and unit, then remove it from the unit.



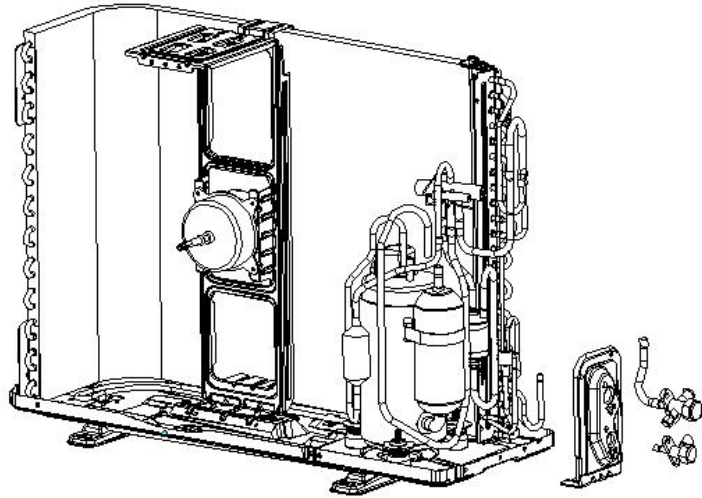
8. Disassemble the gas and liquid valves

A

Unfix the screws between the valve support plate and the unit. Then remove it from the unit by welding.

Notes:

- 1) Before welding, release all the refrigerant in the unit.
- 2) Use wet cloths to protect the gas and liquid valves from heat damage.

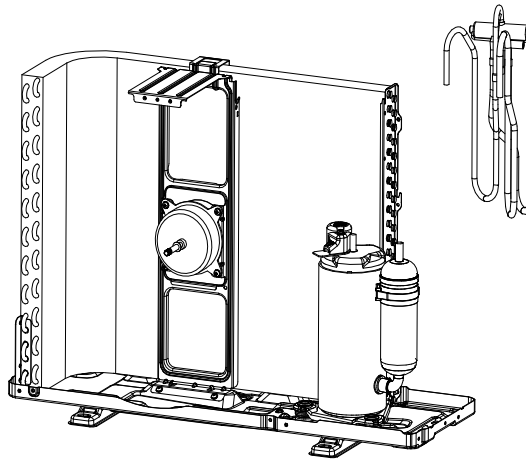


9. Disassemble the 4-way valve assembly

A

Remove the 4-way valve from the system by welding from the suction and discharge port of the compressor.

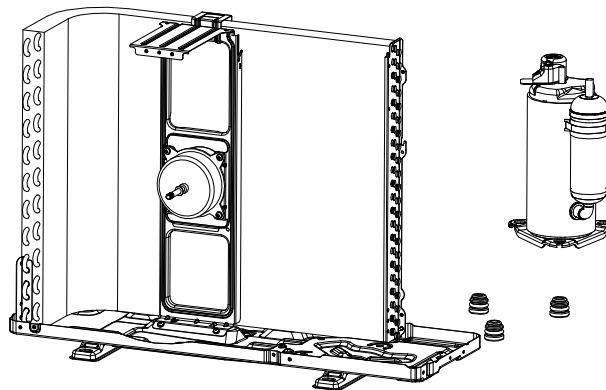
Note: Ensure there is no damage to the compressor, nameplate, etc.



10. Disassemble the compressor

A

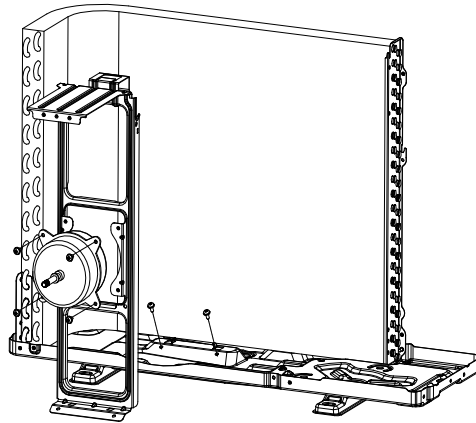
Unscrew the nuts and remove the compressor from the unit.



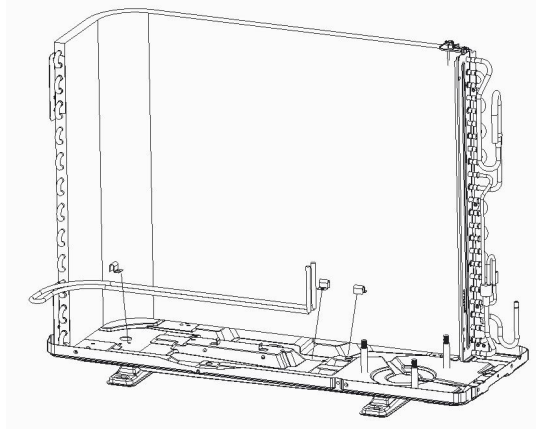
11. Disassemble the fan motor and fan support**A**

Unfix the screws between the fan support and base plate, then remove the support from the unit. Loosen the metal cable clamps on the back of the fan support. Next unfix the screws between the support and fan motor, then remove the fan motor from the fan support.

Note: Take care of the 4 rubber sleeves.

**12. Disassemble the chassis electric heating belt****A**

Unfix the screws securing the electric heating fixed card to the chassis electric heating tube. Then remove the chassis electric heating tube.



The design and specifications of this product are subject to change without prior notice as development continues. Consult with the sales agency or manufacturer for details. Refer to the equipment nameplate for all other applicable specifications.



is a registered trademark of Parker Davis HVAC International, LLC.

Parker Davis HVAC International
7290 NW 77 Court, Miami, FL 33166 - USA
Tel : (305) 513-4488
Fax : (305) 513-4499
E-mail : info@pdhvac.com
Website: www.pdhvac.com

Pioneer product line, parts, and supplies are available online for convenient ordering at:
www.highseer.com
www.pioneerminisplit.com

Scan the below code to visit our support page where you can find more installation materials:



Copyright © Parker Davis HVAC International, LLC. All rights reserved.
